



## TAI Onsite Application – Spring 2012

Register for an application session in the Temerlin Advertising Institute Office (**Owen Arts Center, Suite 1120**).

**Registration Deadline is Friday, February 24, 2012, 5:00 pm.** Note: if you do not register for a session, you will not be able to sit for application.

**When?** Saturday, February 25, 2012, from 10:30 am - 12:30 pm **or**,  
Saturday, February 25, 2012, from 2:00 pm - 4:00 pm **or**,  
Sunday, February 26, 2012, from 2:00 pm - 4:00 pm

**Where?** Fondren Library West, Room 103B & C

**Qualified to Apply?** All applicants will have completed the TAI admissions subset by the end of Spring 2012 (ADV 2374, ENGL 1301, ENGL 1302, STAT 1301 or STAT 2301 or STAT 2331) with a combined subset GPA of 3.0 or better.

Additionally, if you entered SMU during or after the 2008-2009 academic year, then you must complete a minimum of 30 hours in good academic standing. Students who entered SMU **prior** to the 2008-2009 academic year must complete 24 hours in good academic standing.

**What to Bring?** Your most current copy of your Degree Progress Report (DPR) and, Valid SMU ID.

**How do I prepare?** That's the beauty of it. You don't have to prepare at all. We know that you have finished Advertising 2374, or are taking it now. That's all the preparation you need. The short essays on the application are your opportunity to let us know how you think and how you communicate those thoughts.

## DIRECTIONS TO THE COMPUTER CLASSROOMS

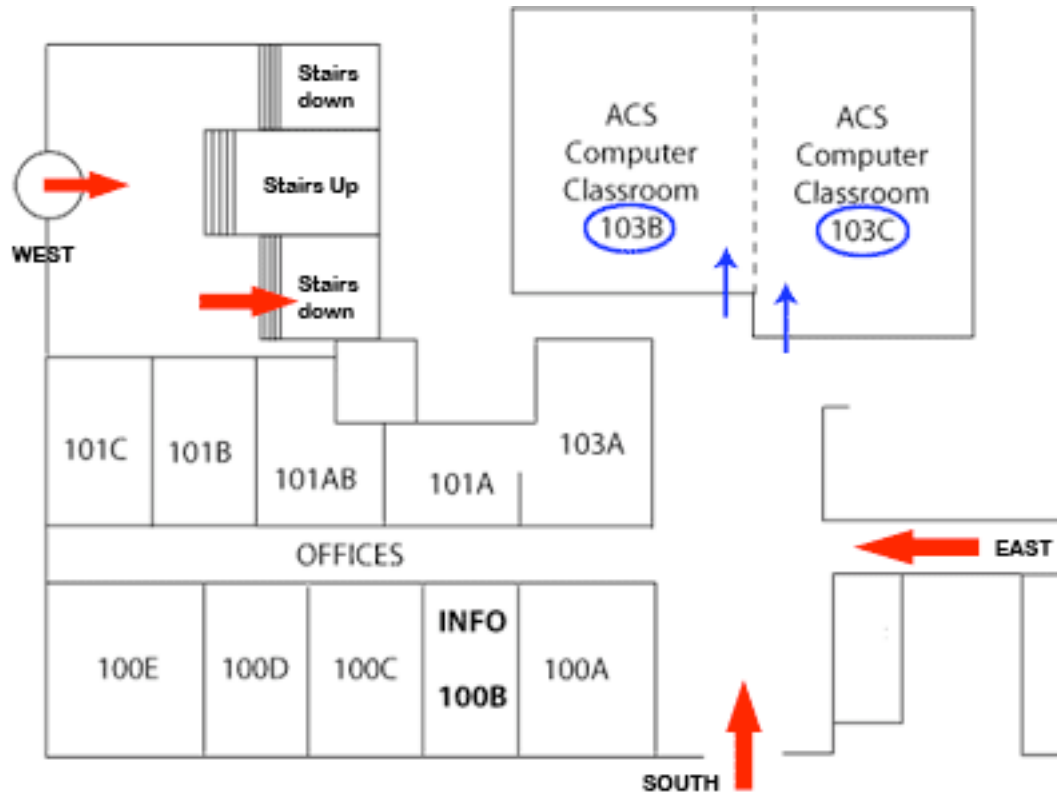
### FLW 103B and 103C

The ACS Computer classrooms are located on the first floor of **Fondren Library West. (DeGolyer Library is on the second floor)**

Entering Fondren Library West from the **south** (across from Hughes-Trigg): come in the south entrance, the classrooms are straight ahead.

Entering Fondren Library West through the revolving door on the **west side**: go down a half flight of steps to the first floor. The computer classrooms are on the left as you walk east, down the hall.

Entering Fondren Library West from the **east**: go west through the corridor from Fondren Library East. Turn right (north) when you reach the lobby, the computer classrooms are straight ahead.



Hughes – Trigg Student Center